



Axiom Technologies, LLC

255 Pennbriht Dr., Suite 220
Houston, Texas 77090

Tel: (281) 931-0907
Fax: (281) 931-6562
www.axiomsafety.com

Hydraulic Control Unit



The Axiom Hydraulic Unit was designed to be easily portable. It weighs less than 30 lbs with overall dimensions of 18" x 19" x 15". It has the following features:

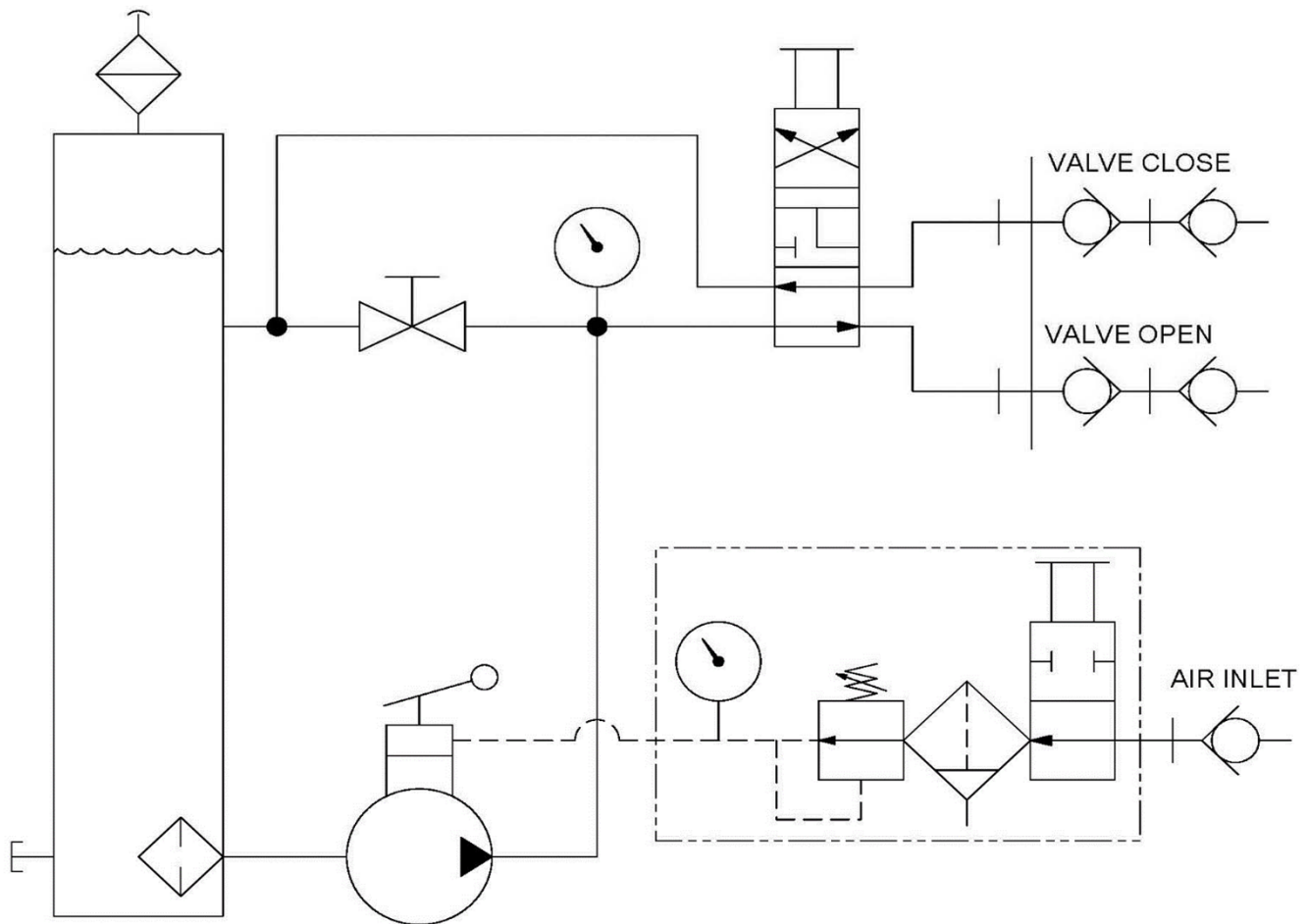
- 4-way/3-position control valve allows control of double acting actuators
- Control valve shear seal designed for lower maintenance
- 15:1 Standard pressure amplification (other ratios available)
- Manual backup
- 2.2 gallon reservoir with fill cap and strainer
- Pressure control via pneumatic regulation requires less maintenance
- Protected high pressure gauge
- High pressure manifold and bleed valve



Axiom Technologies, LLC

255 Pennbriht Dr., Suite 220
Houston, Texas 77090

Tel: (281) 931-0907
Fax: (281) 931-6562
www.axiomsafety.com



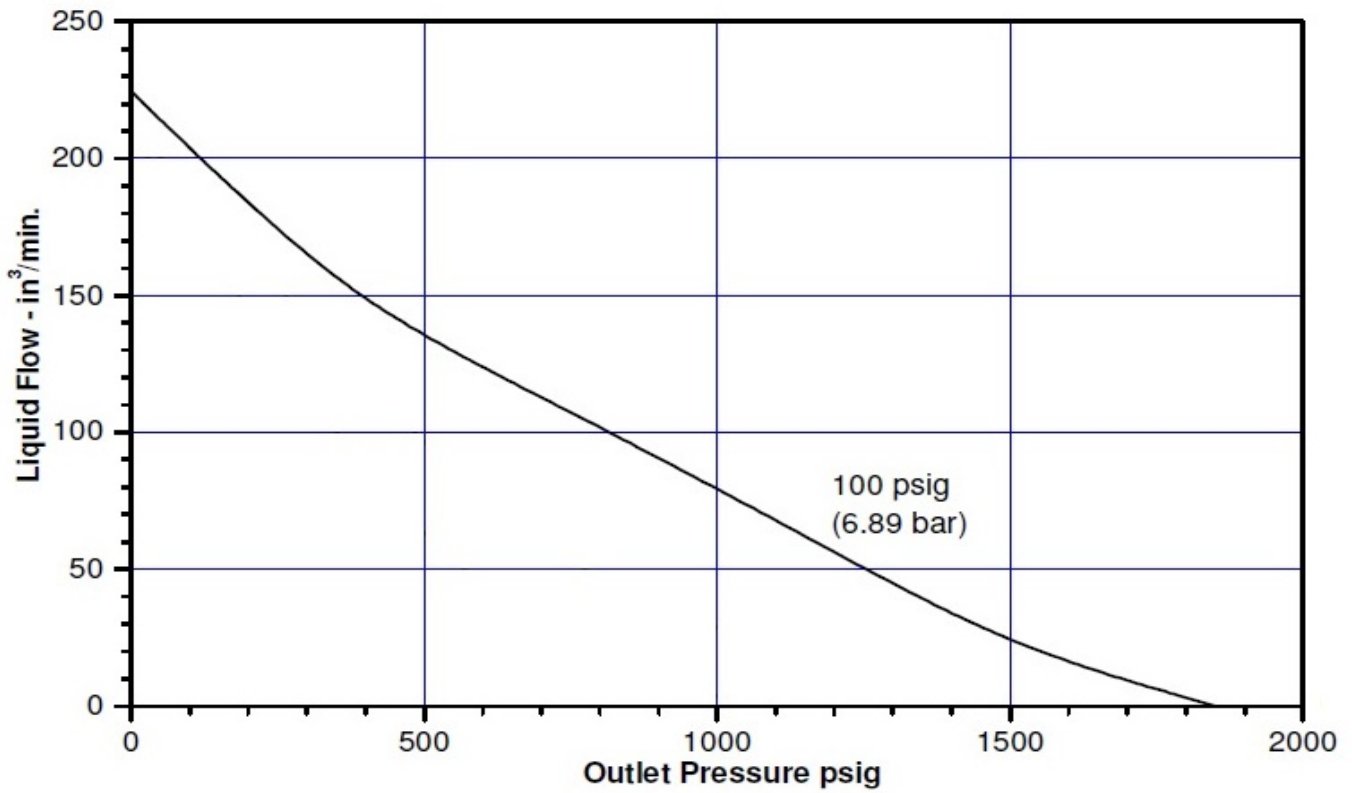
Hydraulic Schematic



Axiom Technologies, LLC

255 Pennbright Dr., Suite 220
Houston, Texas 77090

Tel: (281) 931-0907
Fax: (281) 931-6562
www.axiomsafety.com



Flow Characteristics