

# FITTINGS & MORE

**Fittings**



Pipe & Tube Fittings | Ball & Needle Valves  
Fusible Plugs | High Pressure Tubing & Valves  
Mini-Scrubber | Air Filters

**QE-2's**



## Intermitter

- ❖ C1D2 Certified
- ❖ Process Status at a Glance
- ❖ High & Low Easily Adjusted
- ❖ Better Well & Field Production



**Regulators**



**Flex Hoses**



## Acoustic Monitor

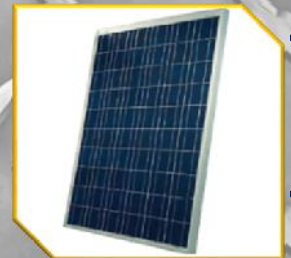
- ❖ No False Alarms
- ❖ Low Maintenance
- ❖ "Hears" Gas Leakage
- ❖ More Reliable than Com. Gas Detector

## ESD's

- ❖ Hydraulic ESD Stations
- ❖ Pneumatic ESD Stations
- ❖ Wireless ESD Stations
- ❖ Hardwired ESD Stations



**SP Systems**



**Solar Panels**

C1D2 Certified Units | Notified via Email, Text, or Call  
Batteries: 8 to 110 AMP | Voltage Regulators  
Modbus communication

## Level Switches

- ❖ 2" NPT, Man or SPST 316SS, 1500
- ❖ 36", Single or Dual Float, 0.45 or 0.65 SG
- ❖ 48", Single or Dual Float, 0.45 or 0.65 SG
- ❖ 90 deg., Single or Dual Float, 0.45 or 0.65 SG



**Sat Alarm**



**Batteries**



**AXIOM TECHNOLOGIES, LLC**

255 Pennbriant Dr., Ste. 220, Houston, TX 7709  
(281) 931-0907 | info@axiomsafety.com | www.axiomsafety.com



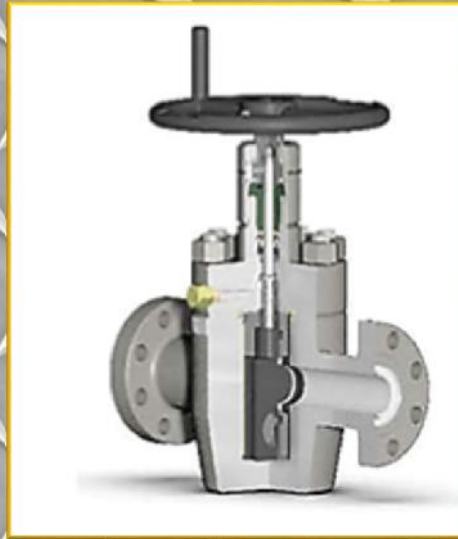
# GATE VALVES

## Gate valves for Christmas Trees, Manifolds, Frac Applications

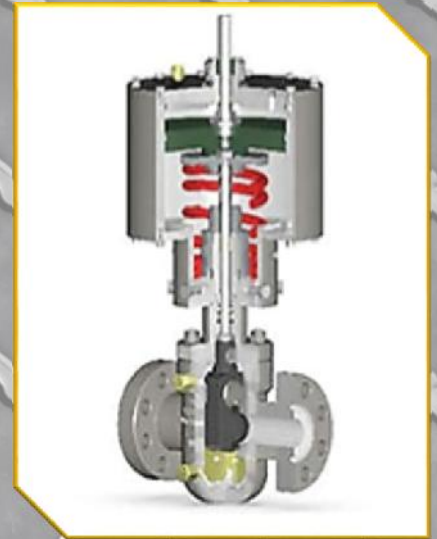
- ❖ Sizes: 13/16" through 7 1/16" X 2M through 20M working pressure
- ❖ -75 to 650F temperature ratings
- ❖ Standard to exotic material classes - PSL 1, 2, 3, & 3G



**SINGLE-ACTING HYDRAULIC**



**MODEL FC**



**PISTON PNEUMATIC**



**DOUBLE-ACTING HYDRAULIC**



**MODEL M**



**DIAPHRAGM PNEUMATIC**



**AXIOM TECHNOLOGIES, LLC**

255 Pennbriant Dr., Ste. 220, Houston, TX 7709

(281) 931-0907 | info@axiomsafety.com | www.axiomsafety.com